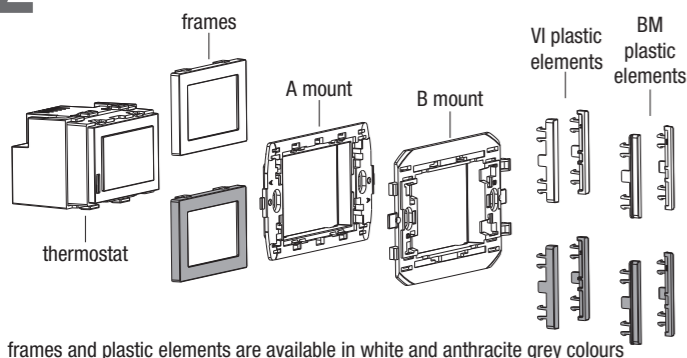




FAC0E8006BZ.00 - V3S00803-010

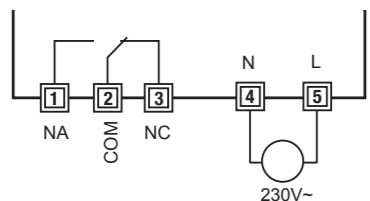


2 PACKAGE CONTENTS



frames and plastic elements are available in white and anthracite grey colours

3 WIRING DIAGRAMS



4 LEGEND



- ① "Environment temperature" field
- ② "Off" field
- ③ "Heating activation" field
- ④ "Cooling activation" field
- ⑤ Key "▲" increases the selected field
- ⑥ Key "▼" decreases the selected field

5 ADJUSTABLE COVER PLATES

The adapters inside the box allow the monitoring of the following cover plates:

ABB Chiara series	Bticino Living series	Vimar Eikon Evo series
ABB Mylos series	Bticino Livinglight series	Vimar Idea series
Ave S44 series	Bticino Livinglight Air series*	Vimar Plana series
Bticino Axolute series	Bticino Matix series	Vimar Arké series
Bticino Light series	Gewiss Chorus series	
Bticino Light tech series	Vimar Eikon series	

For information about the possibility to adapt the thermostat with different cover plates from those listed, contact the Technical Service.

- * through mount that you can buy on request
- All the above trademarks are the property of their respective owners.

1 User Manual ELECTRONIC THERMOSTATS

⚠ **Read all instructions carefully**

Flush-mounting electronic thermostats for temperature control both in heating and cooling. They perform actions of type 1B and are intended for operating in environments with Pollution Degree 2 and Overvoltage Category III (EN 60730-1).

Code	Description
7015070	230V Thermostat

SAFETY WARNINGS

During product installation and operation it is necessary to observe the following instructions:

- 1) The device must be installed by a qualified person, in strict compliance with the connection diagrams.
- 2) Do not power or connect the device if any part of it is damaged.
- 3) After installation, inaccessibility to the connection terminals without appropriate tools must be guaranteed.
- 4) The device must be installed and activated in compliance with current electric systems standards.
- 5) Before accessing the connection terminals, verify that the leads are not live.
- 6) In the electrical system of the building where the device must be installed, a protection device from the overcurrents must be present.

TECHNICAL SPECIFICATIONS

- Power supply: - 230Vac (-15% ÷ +10%) 50/60Hz
- max absorption: 6 VA / 230Vac
- Installation on 3 modules box (503 type)
- Terminals:
- 3 terminals for 1.5 mm² cables for bistable output relay 5A / 250 Vac
- 2 terminals for 1.5 mm² cables for power supply
- Operating mode: summer/winter/off (with antifreeze)
- Password protected lock keypad
- Regulation type:
- on/off with settable differential (0.1 ÷ 1°C)
- P8 proportional with 0.8°C band (-0.3 ÷ +0.5°C) and period 8 minutes
- P15 proportional with 1.5°C band (-0.7 ÷ +0.8°C) and period 15 minutes
- Measurement precision: ± 0.5 °C
- Measurement temperature resolution: 0.1 °C
- Setpoint range: 2°C ÷ +35°C
- Operating temperature: 0 °C ÷ +50 °C
- Storage temperature: -10 °C ÷ +65 °C
- Operating humidity: 20÷90% non condensing
- Protection degree: IP40
- Insulation: reinforced among accessible parts (frontal) and all other terminals

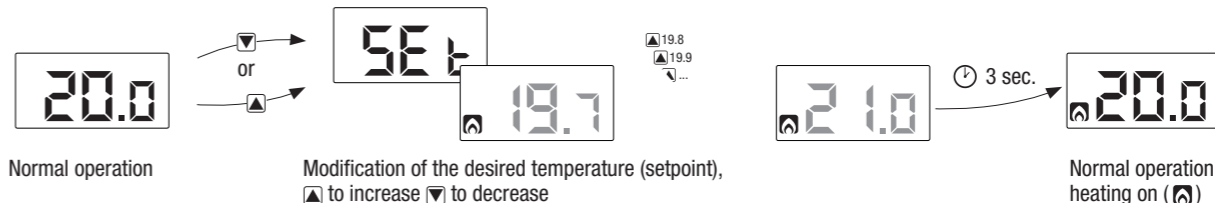
6 INSTALLATION

- Install the thermostat at a height of about 1.5 m above the floor, away from direct sunlight, away from doors, windows, heat sources, locations with excess or total lack of ventilation.
- Install the white or anthracite grey frame according to your preferences by hooking it to the cogs of the device.
- Make the connections by respecting the diagrams described in this manual.
- Fix the device inside the 3 modules box in compliance with the assembly diagrams described on the back of this instruction sheet. The accessories for the installation included in the package allow the mounting of the plates described in the diagram "adjustable plates" and they are:
- mount A
- mount B (it could be necessary to remove the side cogs)
- couple of side BM plastic elements (both of white colour and grey colour)
- couple of side VI plastic elements (both of white colour and grey colour)
- frames of white colour and anthracite grey.

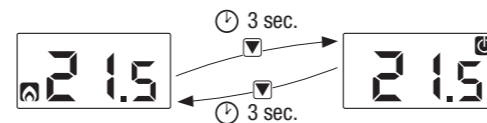
7 OPERATION

During the standard operation the thermostat displays the detected temperature value and the relay status is identified by the symbol (heating mode) or the symbol (cooling mode).

Setpoint modification



Switch off



Note: in heating mode (winter), the device if off, it regulates according to the antifreeze temperature **Toff** in order to prevent freezing of the system. **Toff** can have values from 1 to 10° C or be excluded; in this case any minimum temperature is guaranteed.

Reset

Reset to delete the settings you made and reload the default values. To reset:

- 1 remove and restore power to the device
- 2 during the flashing of the backlighting press the keys ▲ and ▼ until DEF will appear.

Advanced programming

To enter menu Advanced programming keep simultaneously pressed for 3 seconds the keys ▲ and ▼ until PR will appear. The items of the menu are displayed in succession. For each item is displayed an identification abbreviation and its relative blinking value. Use the keys ▲ and ▼ to modify the value. The passage to the next parameter occurs after 3 seconds without pressing any key. Once all parameters are set the writing END is displayed and the thermostat returns to normal operation saving the effected modifications.

- LO** Minimum settable setpoint - LQ
It's the minimum value settable as setpoint.
Settable values: 2 ÷ 35°C
- HI** Maximum settable setpoint - KI
It's the maximum value settable as setpoint.
Settable values: LQ ÷ 35°C
- E-1** Operating mode - E-l
☀ if connected to the boiler (heating)
❄ if connected to a cooling system
- 06.0** Antifreeze temperature - Toff - (only in heating)
TMinimum temperature maintained with device off (see box «Switch off»)
Settable values: 1 ÷ 10 °C or --- (excluded function)
- rE0** Regulation type - REG - (only in heating)
0 = on/off with settable differential
P8 = proportional with band 0.8°C and period 8 minutes
P15 = proportional with band 1.5°C and period 15 minutes
- d0.3** Differential - DD3 - (only for on/off regulation)
Differential (or hysteresis) for temperature regulation.
Settable values: 0,1 ÷ 1°C
- PR5** Password for keypad lock - PRS
Set a value between 001 and 999 to activate the keypad lock. Set "---" to disable the lock.
If the keypad lock is active, pressing one key LDC appears and the password is required. If it's properly inserted the keyboard is unlocked for the next 30 seconds.

Error messages

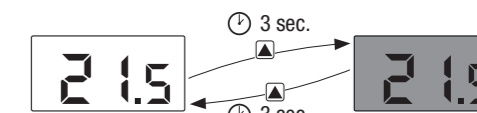
- Occurs for the following values of measured temperature:
t < 0°C
t > 50°C
- Er** Occurs in case of probe failure.
In this case the regulation is inhibited and the relay contacts remain in position 2-3.

Default values

Heating setpoint ☀	21°C
Cooling setpoint ❄	25°C
Minimum settable setpoint - LQ	2°C
Maximum settable setpoint - KI	35°C
Operating mode	☀ (heating)
Antifreeze temperature	6°C
Regulation type	On /Off
Auxiliary input	0,3°C
Password	--- (disabled)

Backlighting management

The Keo-A-LCD has a backlighting of blue colour which is on during normal operation. If the installation makes it necessary (for example bedrooms) you can turn off the backlighting. In this condition the thermostat continues to operate normally and the backlighting turns on when you enter setpoint modification menus, advanced programming, pin enter.



REFERENCE STANDARDS

Compliance with Community Directives: 2006/95/CE (LVD); 2004/108/CE (EMCD) is declared with reference to the following harmonized standards: • CEI EN 60730-2-9

DISPOSAL
According to the provisions of the following European directives 2011/65/EU, 2012/19/EU, and 2003/108/CE, concerning the restriction of the use of certain hazardous substances in electrical and electronic equipment, as well as waste disposal.

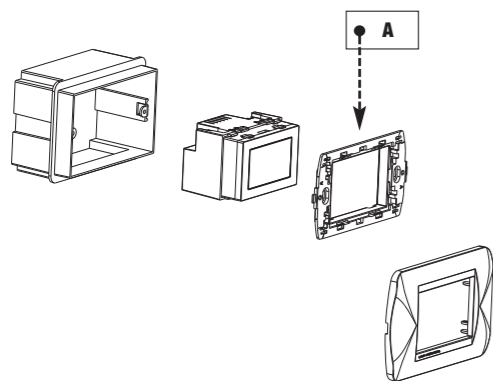
The crossed out wheellie bins symbol on the equipment indicates that, at the end of its useful life, the product must be collected separately from general waste. Therefore, at the end of its useful life, the user must take the equipment to a designated electrical and electronic waste collection point, or return it to the dealer that, against the purchase of an equivalent appliance, it is obliged to collect the product for disposal free of charge. Appropriate differentiated waste collection for subsequent recycling, treatment and environment-friendly disposal of the discarded equipment helps preventing possible negative environmental and health effects and encourages recycling of the component materials of the equipment. Illegal disposal of the product by the user entails the application of sanctions provided by the regulations in force.

RDZ S.p.A.
V.le Trento, 101 -
33077 SACILE (PN) -Italy
Tel. +39 0434 787511
Fax +39 0434 787522
rdzcentrale@rdz.it www.rdz.it
FAC0E8006BZ.01 12/2018

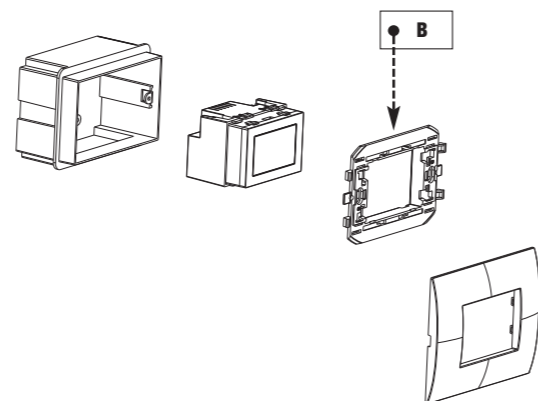
COMPANY WITH QUALITY SYSTEM CERTIFIED BY DNV GL = ISO 9001 =



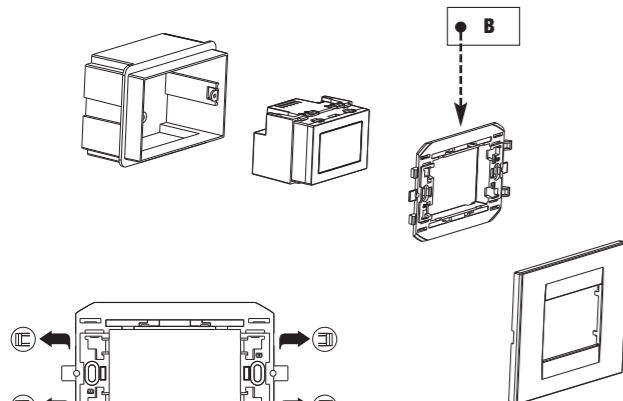
bit.ly/rdzwebsite



**Bticino Living, Light, Light Tech, Livinglight, Axolute
Vimar Eikon, Eikon Evo, Plana
Ave S44 – ABB Mylos**

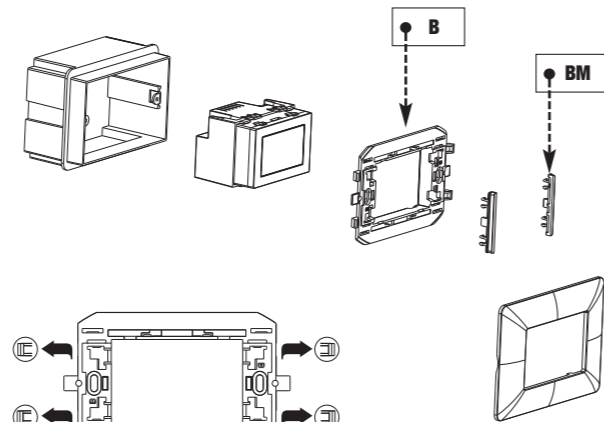


**ABB serie Chiara
Vimar serie Arké**



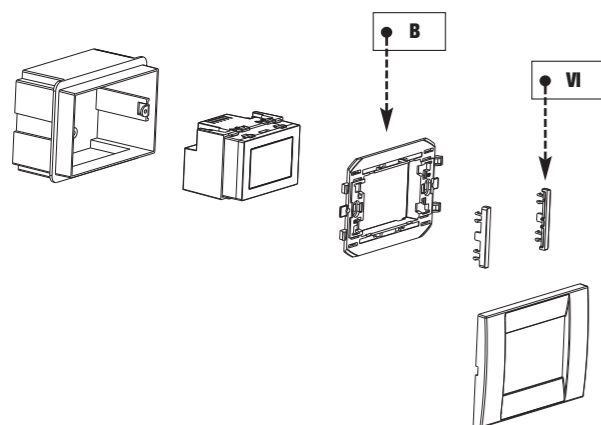
Remove the cogs

Gewiss Chorus

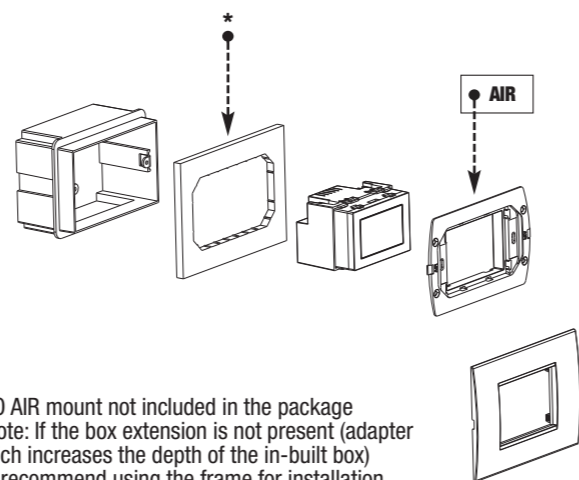


Remove the cogs

Bticino Matix



Vimar Idea



AXO AIR mount not included in the package
* Note: If the box extension is not present (adapter which increases the depth of the in-built box) we recommend using the frame for installation Livinglight AIR.

Bticino Livinglight AIR